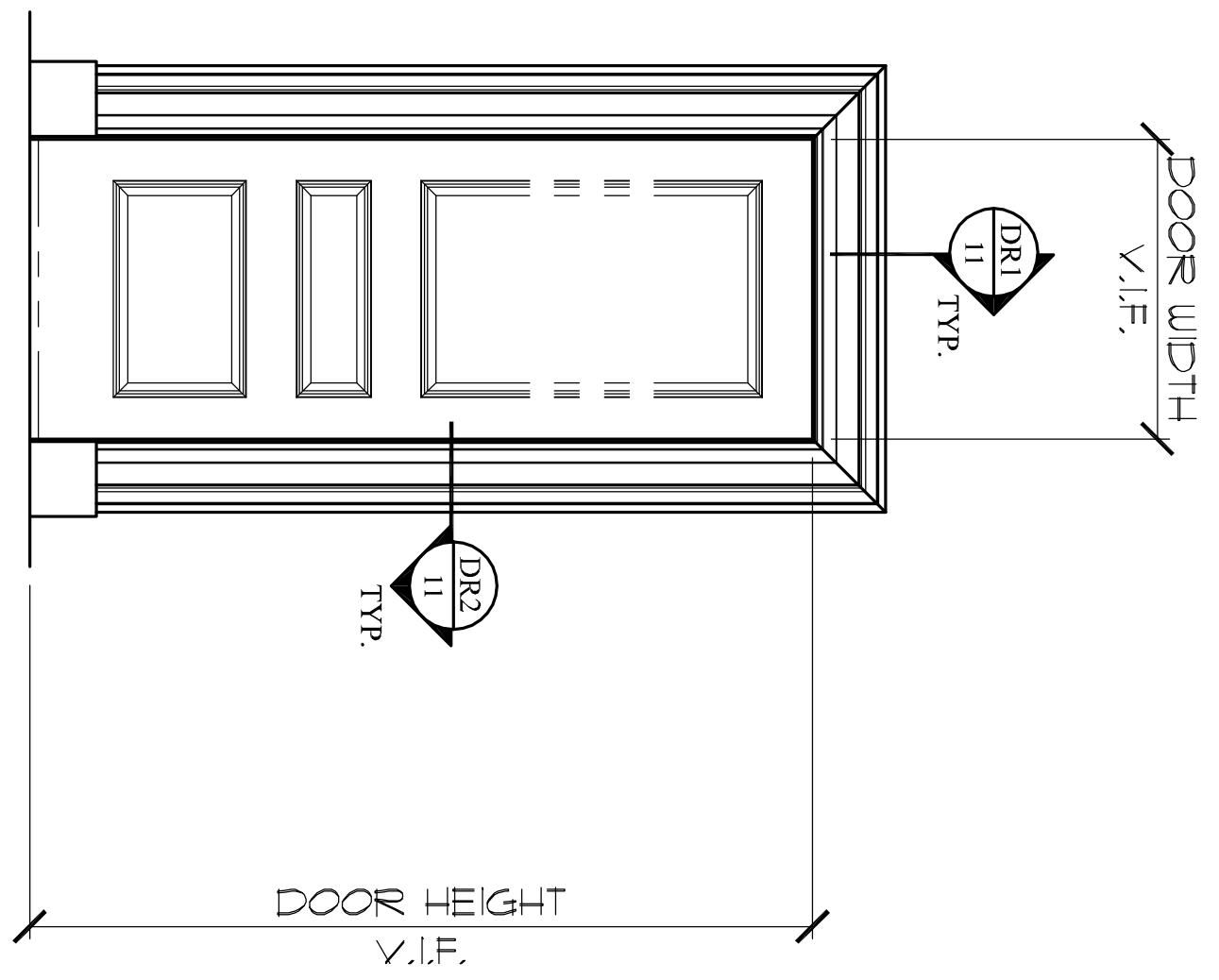
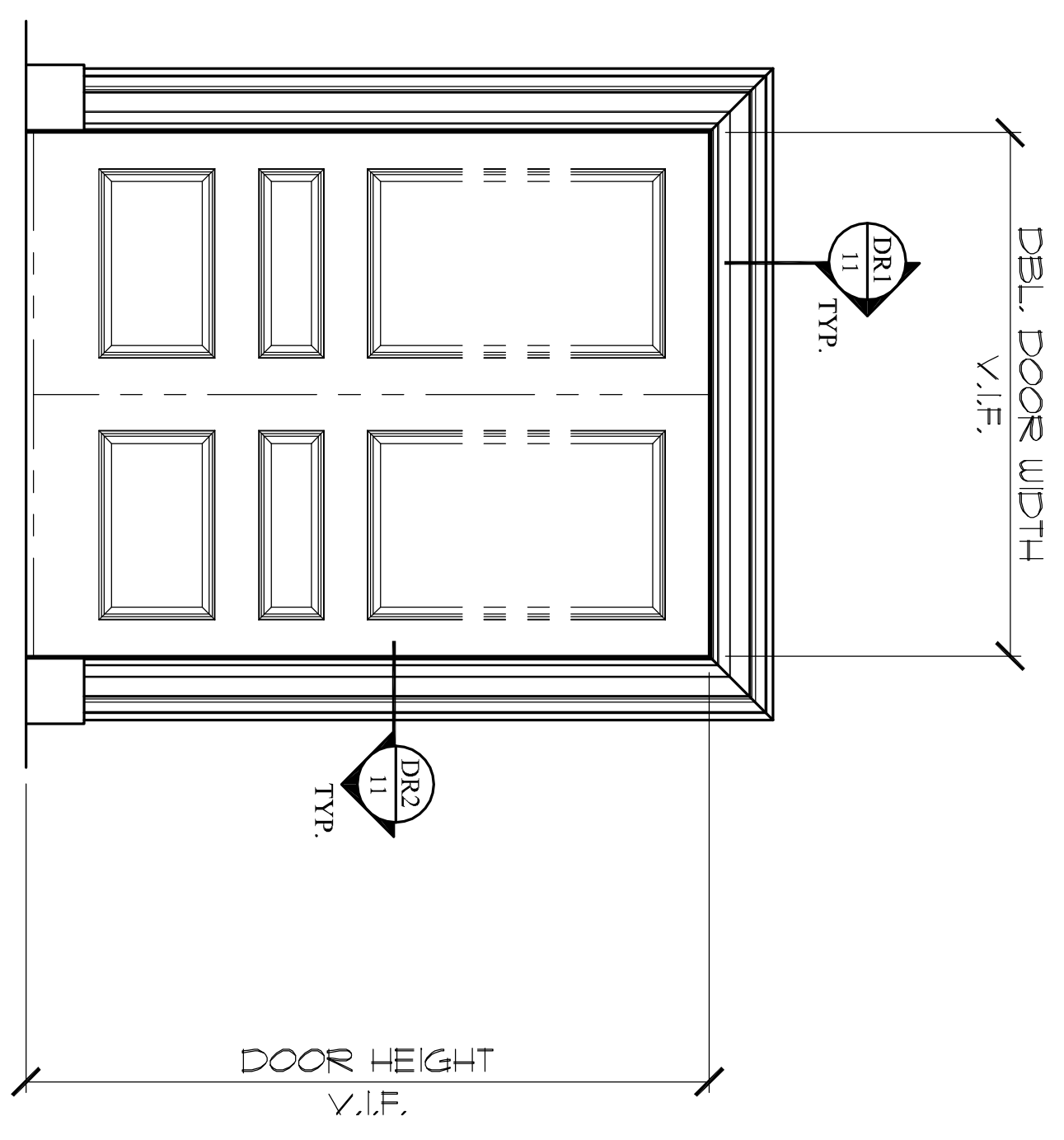


DOOR SCHEDULE						
DOOR No.	FRAME TYPE	DOOR / OPNG. WIDTH	DOOR / OPNG. HEIGHT	"A"	CASING MATERIAL	CASING FINISH
#107	C	V.I.F.	V.I.F.	V.I.F.	OAK WOOD	STAIN
#108	C	V.I.F.	V.I.F.	V.I.F.	OAK WOOD	STAIN
#111	A	V.I.F.	V.I.F.	V.I.F.	OAK WOOD	STAIN
#112	A	V.I.F.	V.I.F.	V.I.F.	OAK WOOD	STAIN
#113	A	V.I.F.	V.I.F.	V.I.F.	OAK WOOD	STAIN
#114	B	V.I.F.	V.I.F.	V.I.F.	OAK WOOD	STAIN
#115	A	V.I.F.	V.I.F.	V.I.F.	OAK WOOD	STAIN
#116	A	V.I.F.	V.I.F.	V.I.F.	OAK WOOD	STAIN
#125	A	V.I.F.	V.I.F.	V.I.F.	OAK WOOD	STAIN
#127	A	V.I.F.	V.I.F.	V.I.F.	OAK WOOD	STAIN
#128	A	V.I.F.	V.I.F.	V.I.F.	OAK WOOD	STAIN
#130	A	V.I.F.	V.I.F.	V.I.F.	OAK WOOD	STAIN

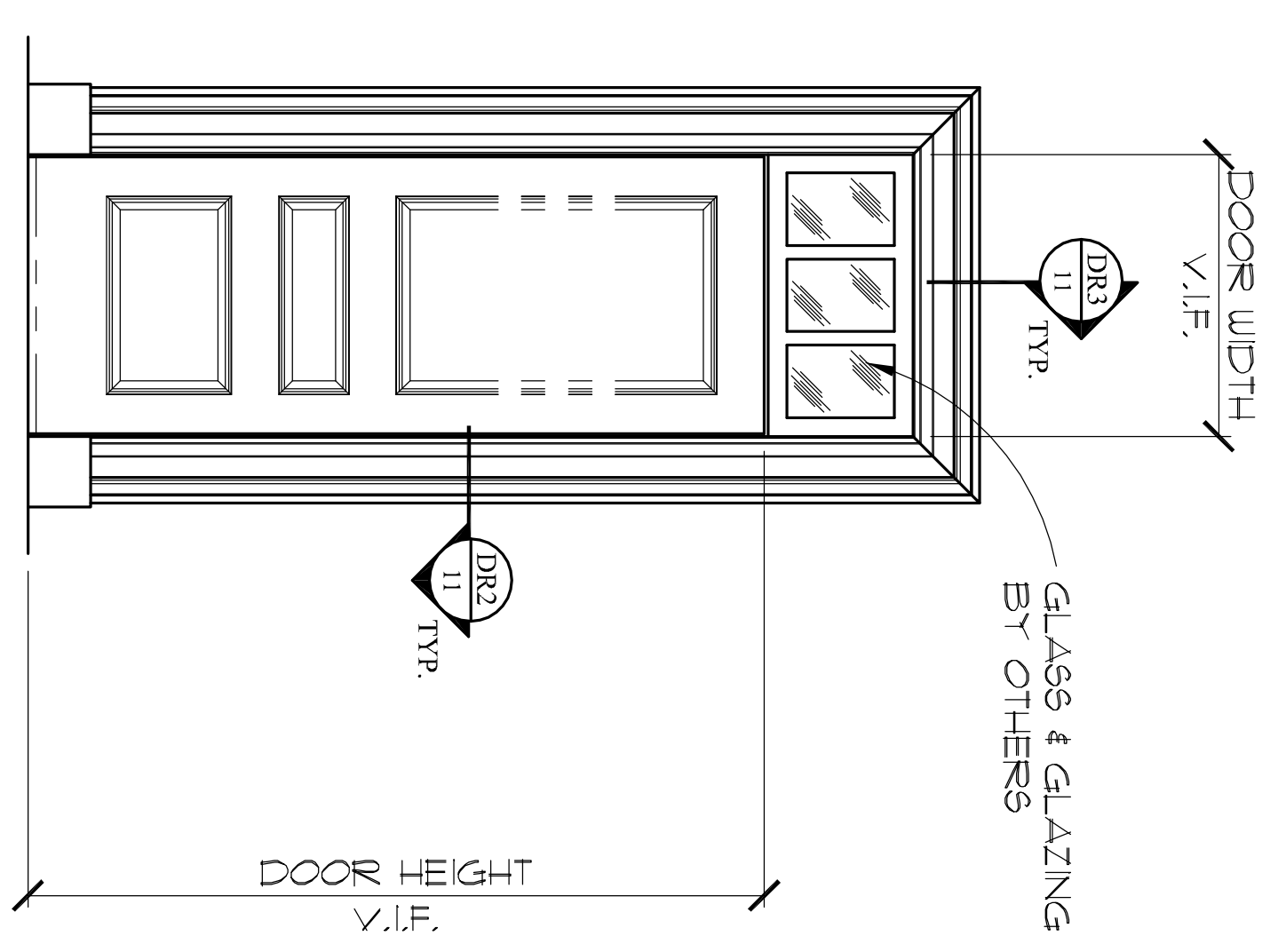
** FIELD VERIFY ALL DOOR OPENING SIZES & CONSTRUCTION



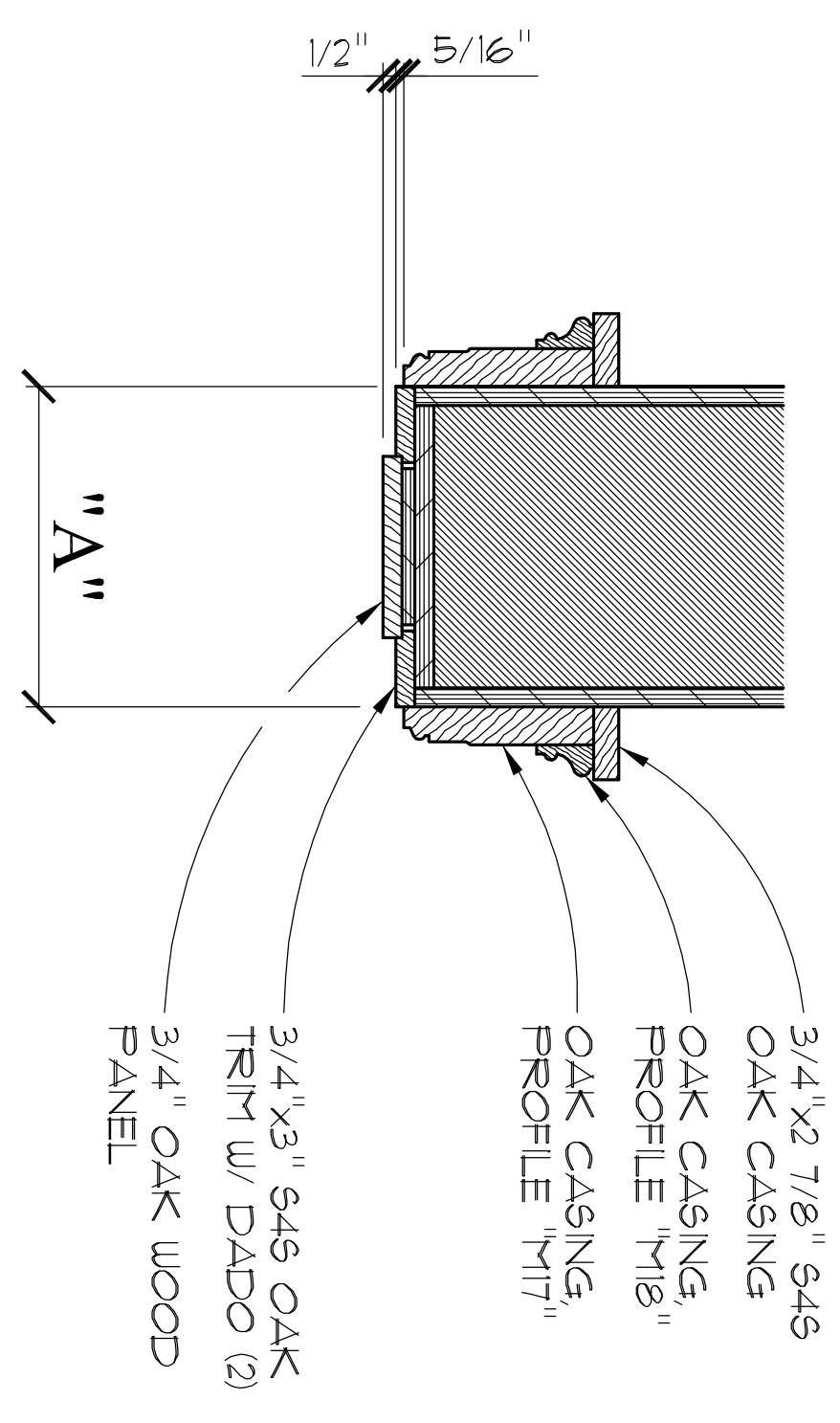
A SINGLE DOOR TYPE "A"
SCALE - 1/2" = 1'-0"
FROM DOOR SCHEDULE



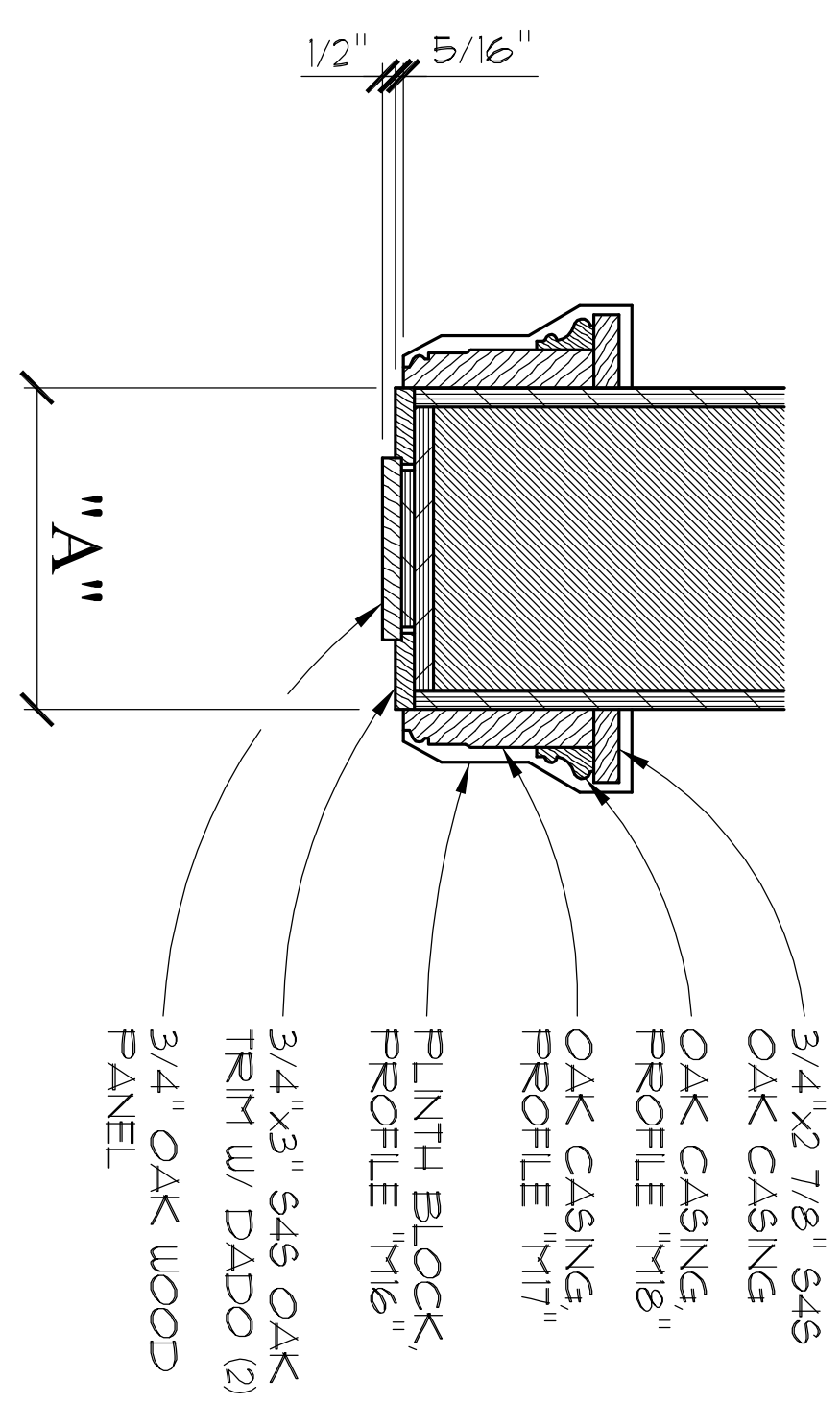
B DOUBLE DOOR TYPE "B"
SCALE - 1/2" = 1'-0"
FROM DOOR SCHEDULE



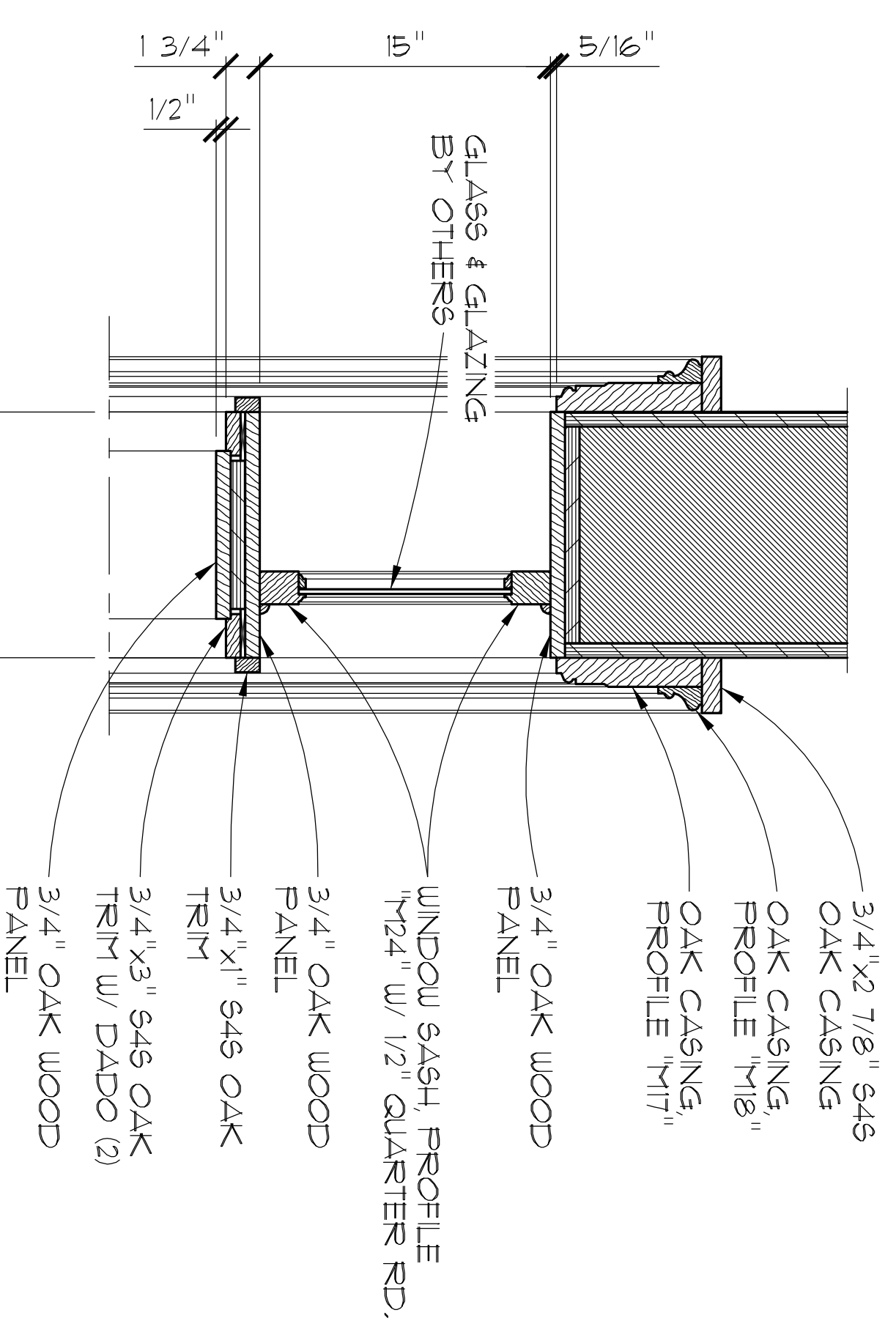
C SINGLE DOOR W/TRANSONM TYPE "C"
SCALE - 1/2" = 1'-0"
FROM DOOR SCHEDULE



DR1 TYP. SECTION THRU JAMB / HEAD
SCALE - 1/2" = 1'-0"
FROM ELEVS. THIS SHT.



DR2 TYP. SECTION THRU JAMB / HEAD
SCALE - 1/2" = 1'-0"
FROM ELEVS. THIS SHT.



DR3 SECTION THRU HEAD W/TRANSONM
SCALE - 1/2" = 1'-0"
FROM ELEVS. THIS SHT.